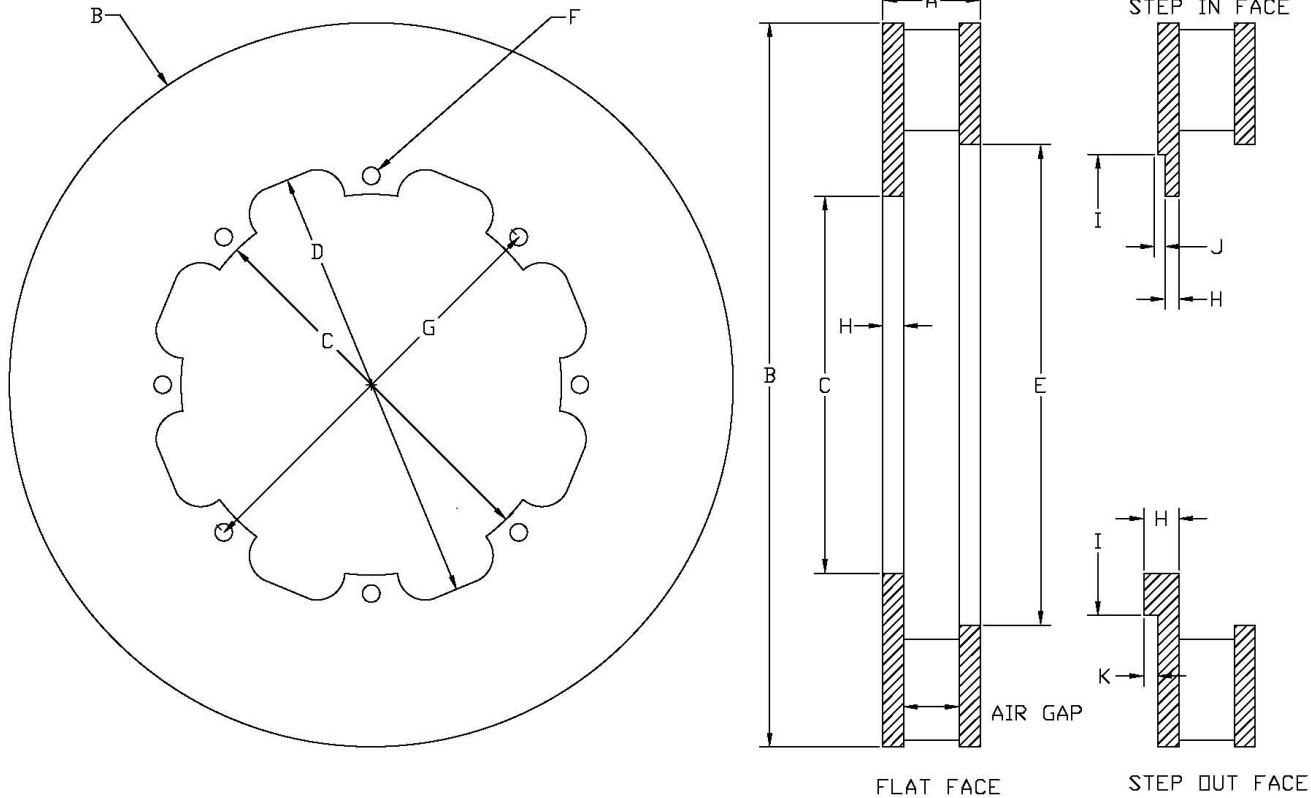


# FULL TILT BOOGIE RACING CUSTOM ROTOR ORDER FORM

Today's Date: \_\_\_\_\_



A = THICKNESS \_\_\_\_\_  
 B = DIAMETER \_\_\_\_\_  
 C = BORE OF FLANGE \_\_\_\_\_  
 D = SCALLOP TO SCALLOP \_\_\_\_\_  
 E = BORE OF EYE \_\_\_\_\_  
 F = HOLE SIZE \_\_\_\_\_ # OF HOLES \_\_\_\_\_  
 G = BOLT CIRCLE \_\_\_\_\_  
 H = FLANGE THICKNESS \_\_\_\_\_  
 I = STEP DIAMETER \_\_\_\_\_

J = STEP DEPTH \_\_\_\_\_  
 K = STEP HEIGHT \_\_\_\_\_  
 AIR GAP \_\_\_\_\_  
 SLOTTING X 5 AGAINST VANING  YES  NO  
 STRESS RELIEVE  YES  NO  
 PLATING, CLEAR ZINC  YES  NO  
 BALANCE  YES  NO  
 MICRO FINISH  YES  NO

NOTE: DOUBLE CHECK ALL SIZES FOR CUSTOM ROTORS AND SIGN BELOW. NO ROTORS WILL BE MADE WITHOUT BEING SIGNED FOR APPROVAL. ABSOLUTELY NO RETURNS ON ANY CUSTOM ROTOR MADE TO CUSTOMER SPECIFICATIONS.

SIGNED: \_\_\_\_\_ DATE: \_\_\_\_\_